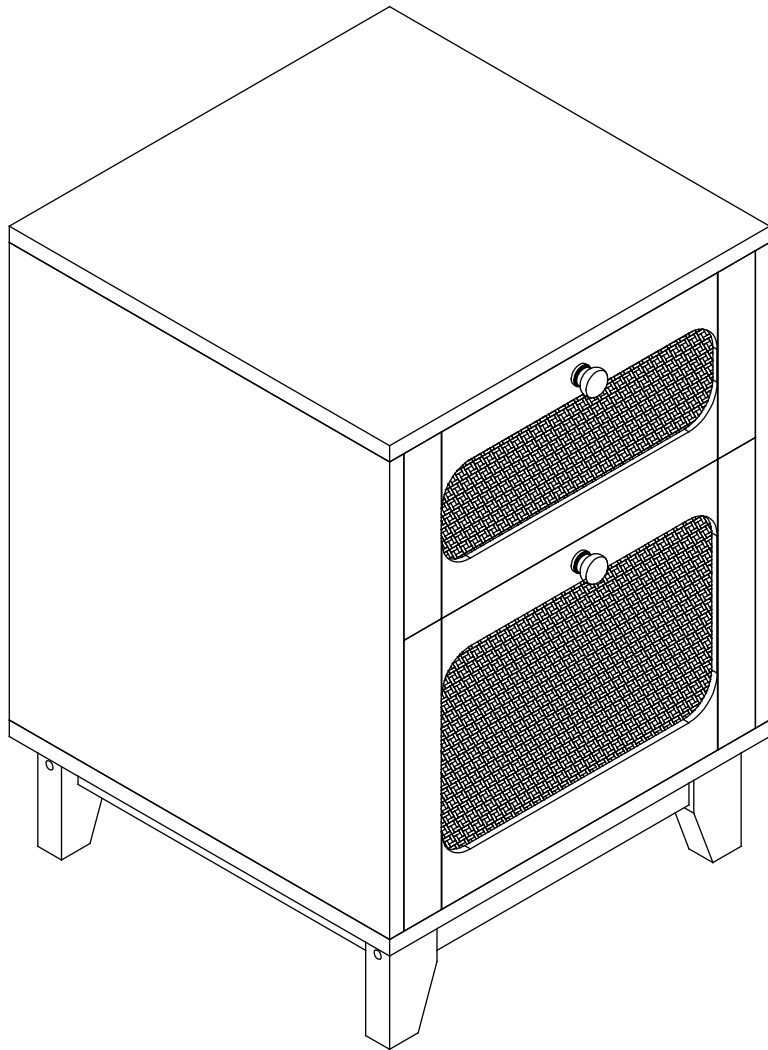
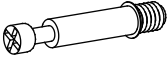
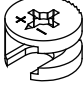
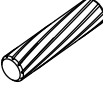
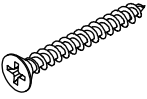




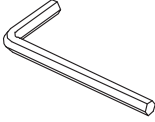

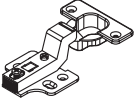









# Night Stand

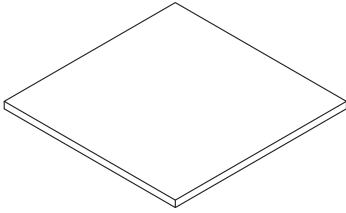


## ASSEMBLY INSTRUCTION

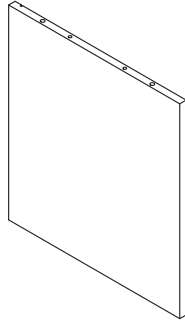
# HARDWARE LIST

|                               |  |                               |   |                               |  |                               |  |
|-------------------------------|--|-------------------------------|---|-------------------------------|--|-------------------------------|--|
| <p><b>A</b></p> <p>14 PCS</p> |                   | <p><b>B</b></p> <p>14 PCS</p> |                      | <p><b>C</b></p> <p>18 PCS</p> |                    | <p><b>D</b></p> <p>8 PCS</p>  |                     |
| <p><b>E</b></p> <p>14 PCS</p> |  <p>Ø3.5x12mm</p> | <p><b>F</b></p> <p>2 PCS</p>  | <p>F-1    F-2</p>    | <p><b>G</b></p> <p>4 PCS</p>  | <p>G-1    G-2</p>  | <p><b>H</b></p> <p>8 PCS</p>  |                     |
| <p><b>I</b></p> <p>1 PCS</p>  |                  | <p><b>J</b></p> <p>4 PCS</p>  |                    | <p><b>K</b></p> <p>2 PCS</p>  |                  | <p><b>L</b></p> <p>12 PCS</p> |  <p>Ø3.5x14mm</p> |
| <p><b>M</b></p> <p>8 PCS</p>  |                 | <p><b>N</b></p> <p>4 PCS</p>  | <p>N-1    N-2</p>  | <p><b>CL</b></p> <p>1 PCS</p> |                  | <p><b>CR</b></p> <p>1 PCS</p> |                   |
| <p><b>DL</b></p> <p>1 PCS</p> |                 | <p><b>DR</b></p> <p>1 PCS</p> |                    |                               |  |                               |  |

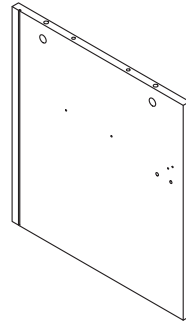
**PARTS LIST**



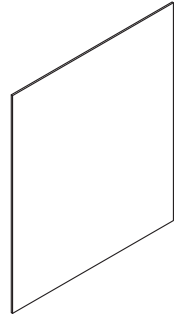
**1- 1PCS**



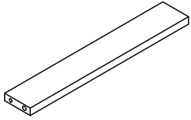
**2- 1PCS**



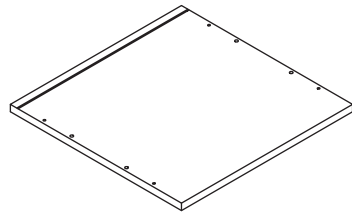
**3- 1PCS**



**4- 1PCS**



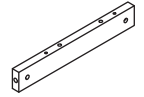
**5- 1PCS**



**6- 1PCS**



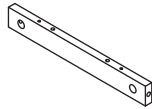
**7- 2PCS**



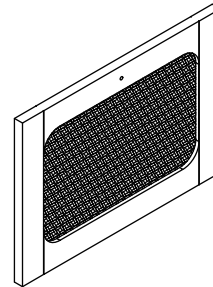
**8- 2PCS**



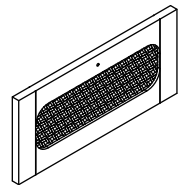
**9- 2PCS**



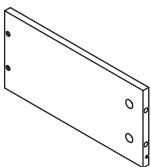
**10- 2PCS**



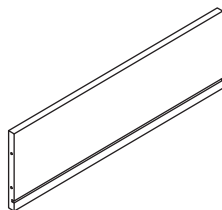
**11- 1PCS**



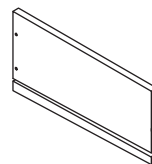
**12- 1PCS**



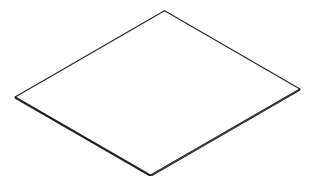
**13- 1PCS**



**14- 1PCS**



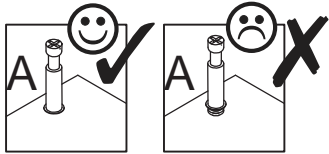
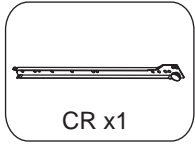
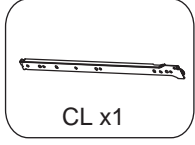
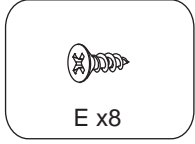
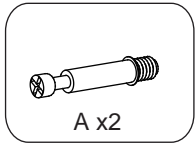
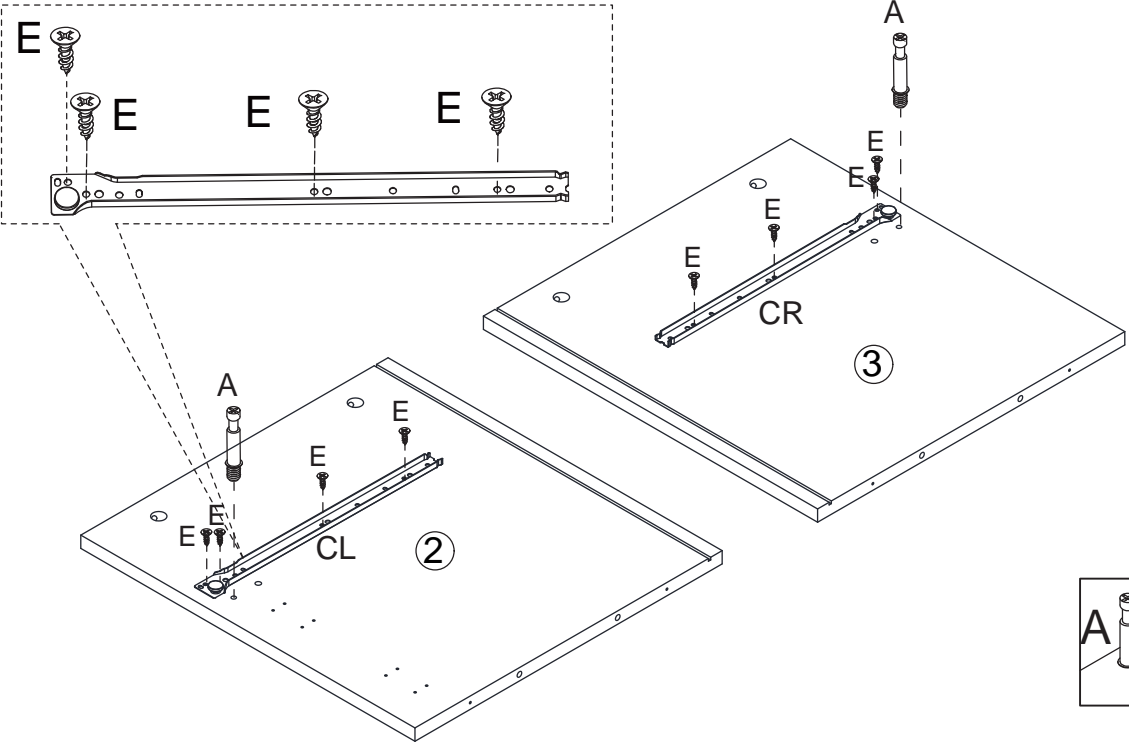
**15- 1PCS**



**16- 1PCS**

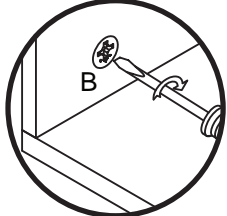
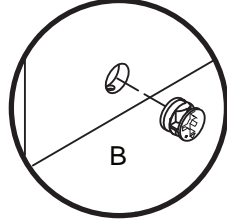
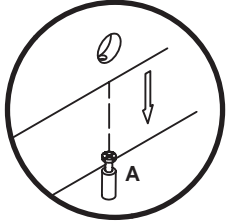
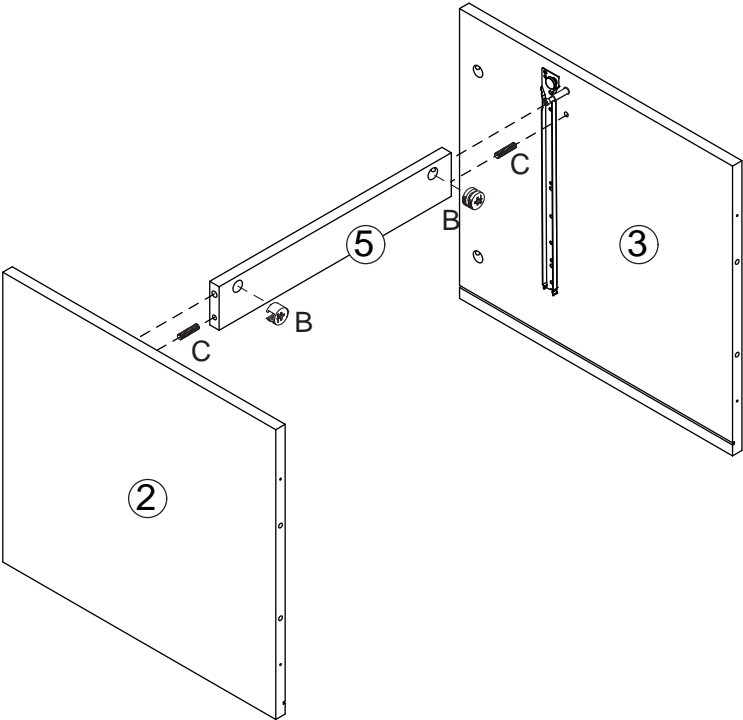
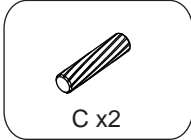
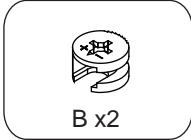
# ASSEMBLY STEPS

**STEP 1.** Fix outer drawer runners (CL) and (CR) to part 2 and part 3 using screws (E), as shown. Insert quickfit screws (A) into part 2 and part 3, as shown.



## STEP 2.

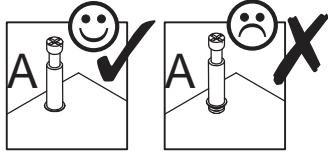
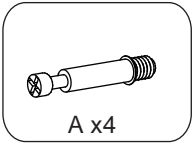
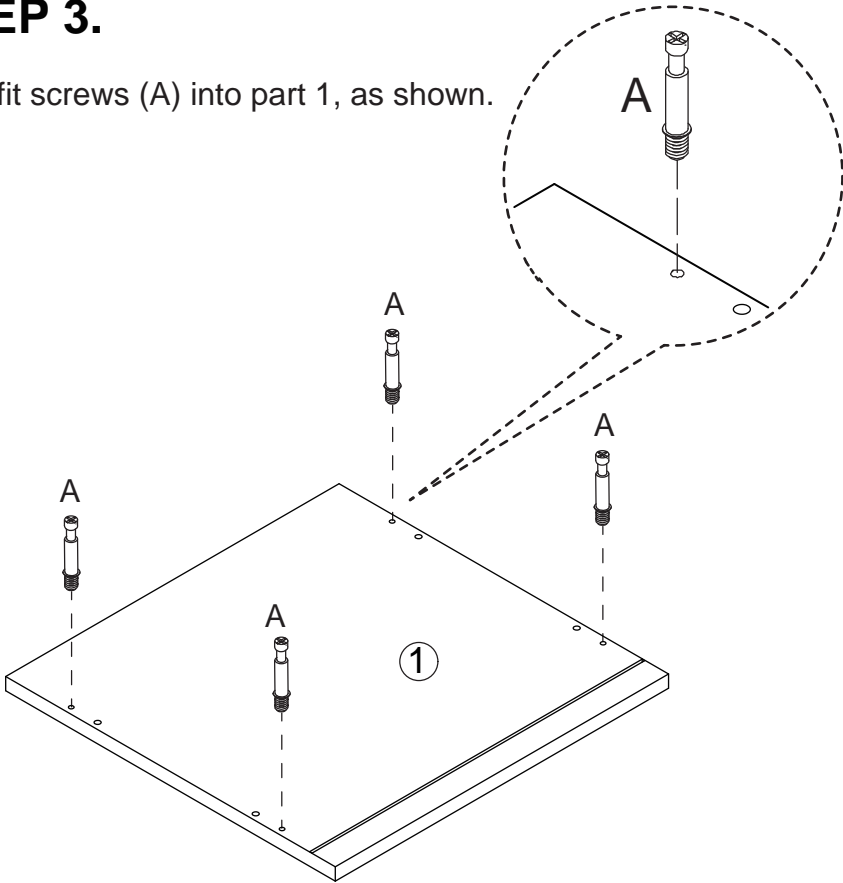
Insert cam locks (B) and wooden dowels (C) into part 5, as shown. Attach parts 2 and 3 to part 5, as shown. Turn cam locks clockwise to tighten.



# ASSEMBLY STEPS

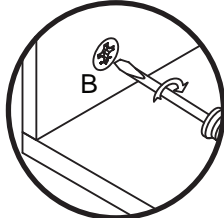
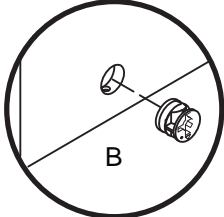
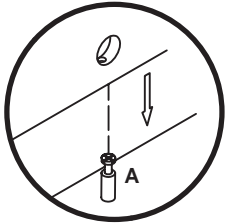
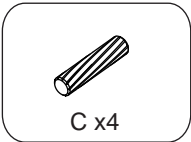
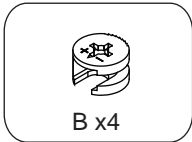
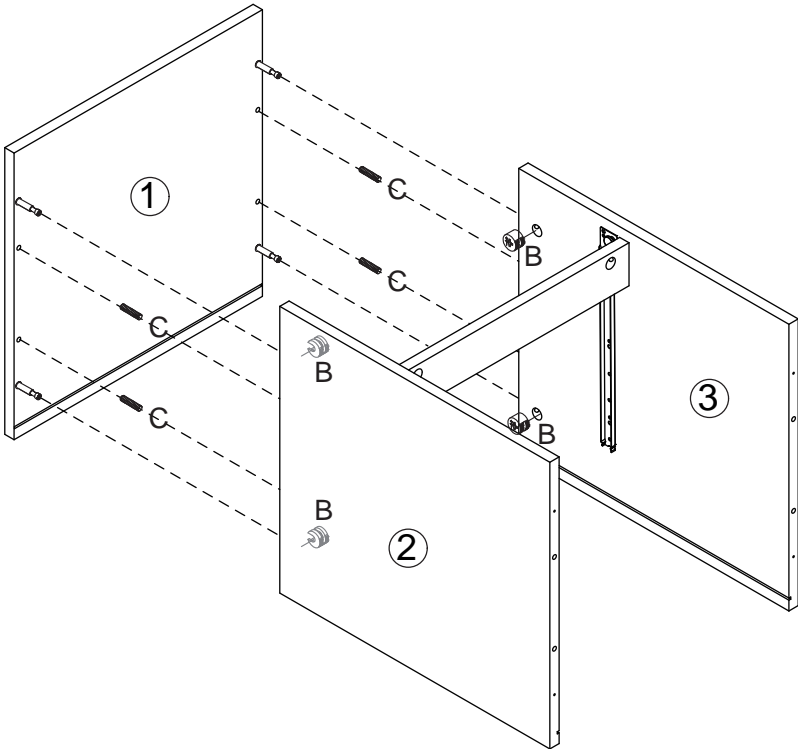
## STEP 3.

Insert quickfit screws (A) into part 1, as shown.



## STEP 4.

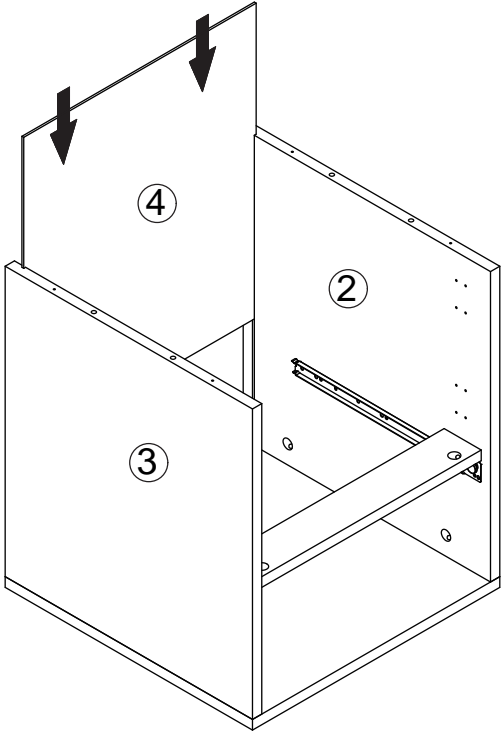
Insert cam locks (B) and wooden dowels (C) into parts 2 and 3, as shown. Attach part 1 to parts 2 and 3, as shown. Turn cam locks clockwise to tighten.



**ASSEMBLY STEPS**

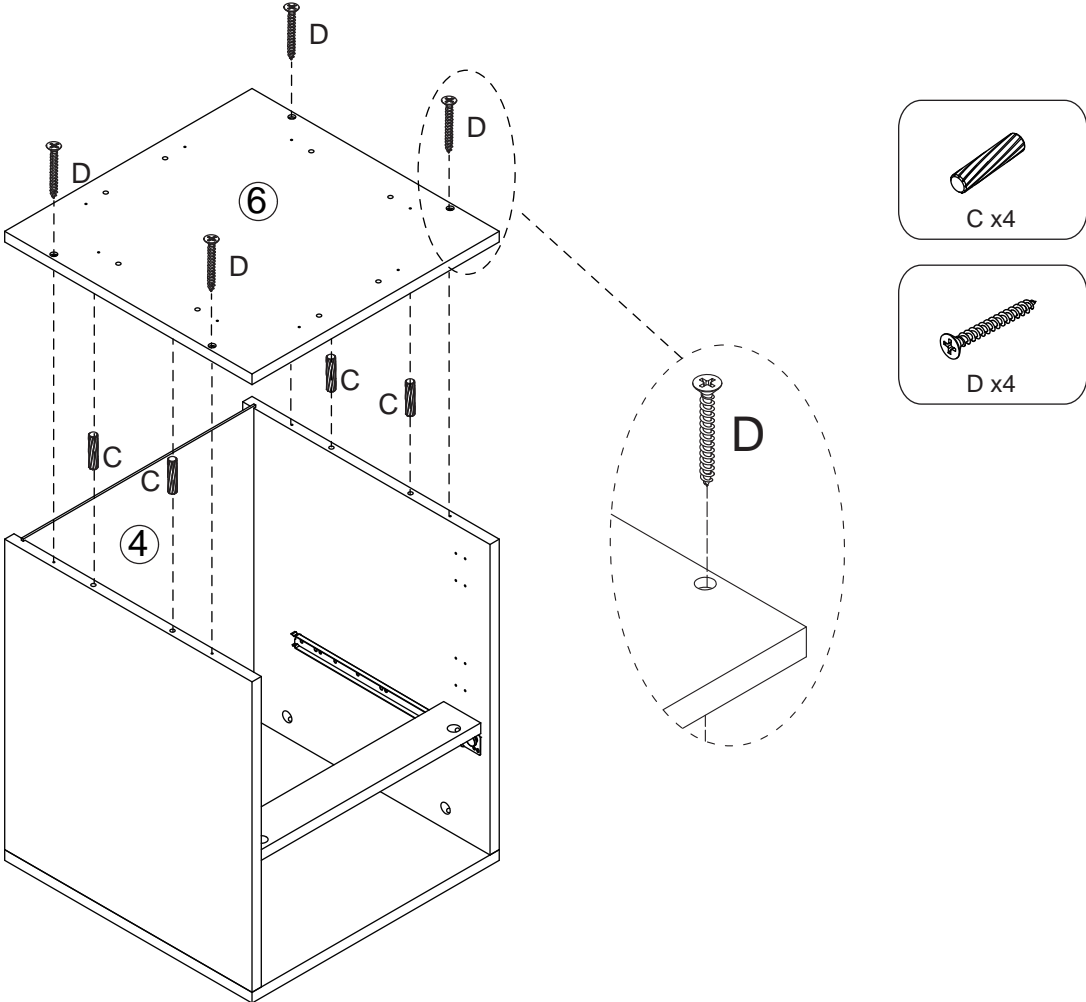
**STEP 5.**

Slide part 4 into grooves between parts 2 and 3, as shown.



**STEP 6.**

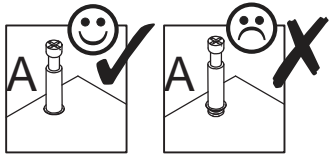
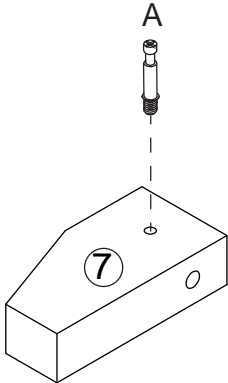
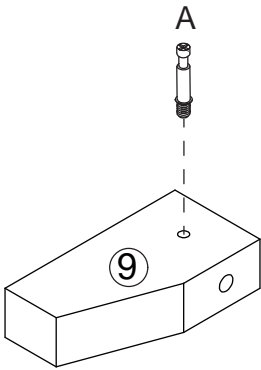
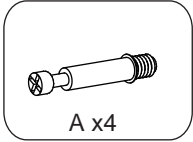
Fix part 6 to assembled unit with wooden dowels (C) and screws (D), as shown.



**ASSEMBLY STEPS**

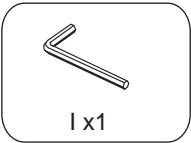
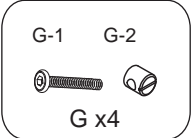
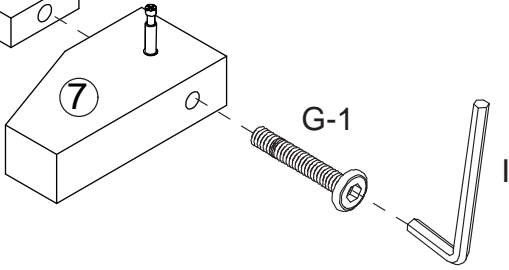
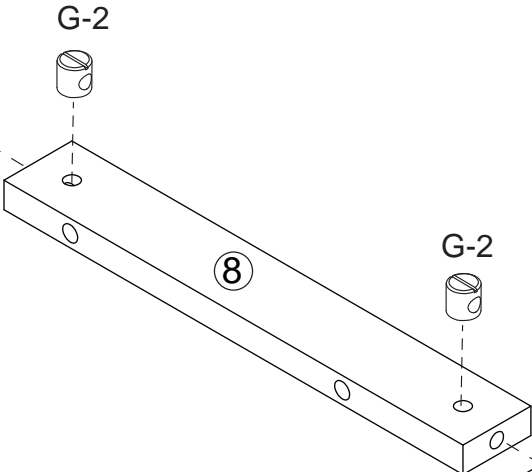
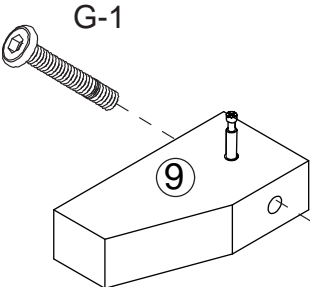
**STEP 7. x2**

Insert quickfit screws (A) into parts 7 and 9, as shown.



**STEP 8. x2**

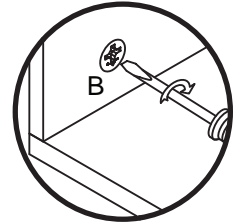
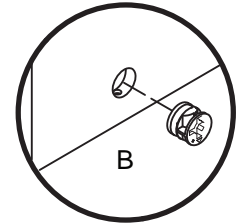
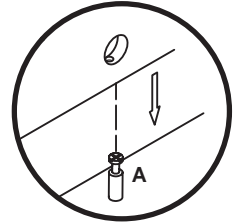
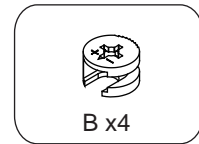
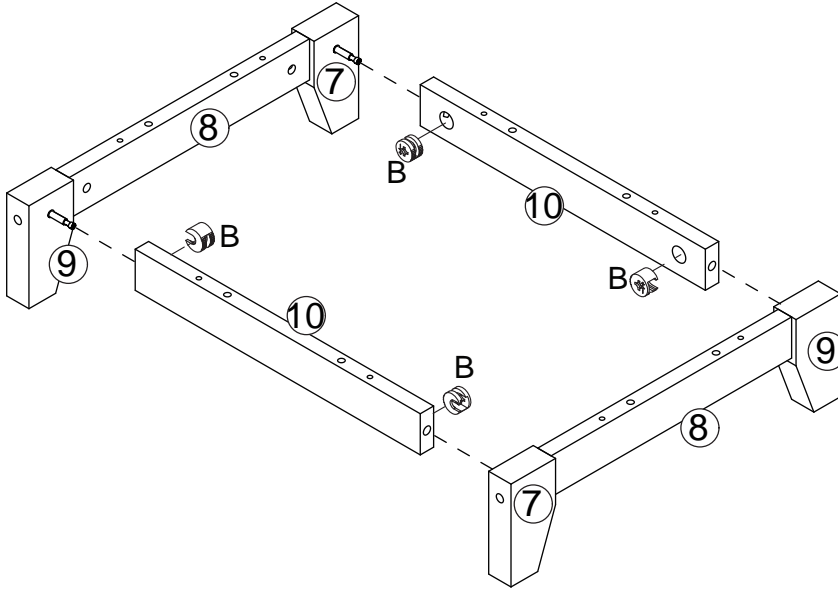
Insert nuts (G-2) into parts 8, as shown.  
Fix parts 7 and 9 to parts 8 using bolts (G-1) and allen key (I), as shown.



## ASSEMBLY STEPS

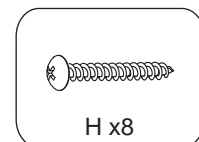
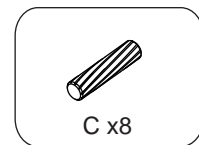
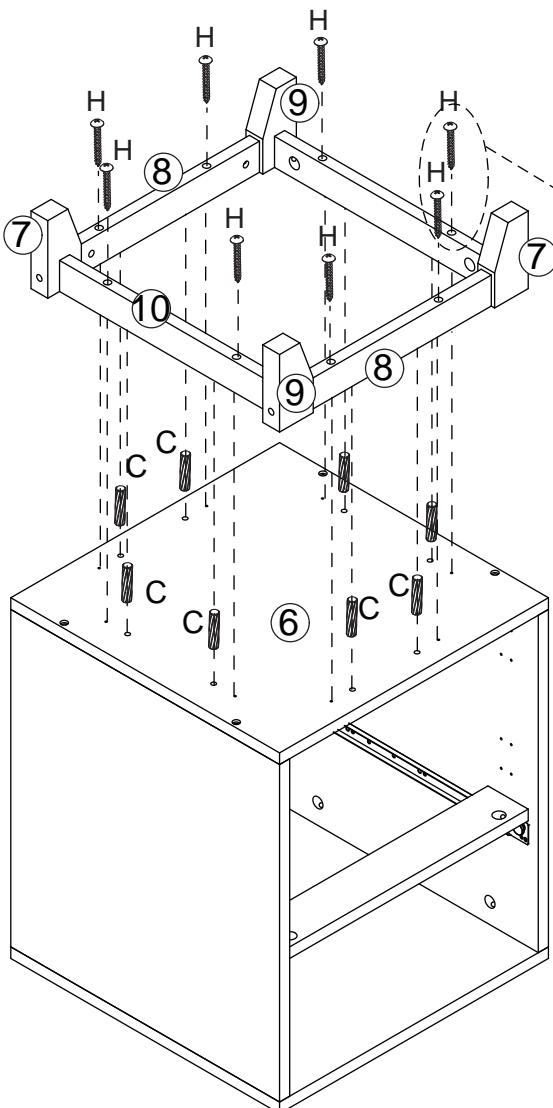
### STEP 9.

Insert cam locks (B) into parts 10.  
Fit part 10 to parts 7 and 9, as shown.  
Turn cam locks clockwise to tighten.



### STEP 10.

Insert wooden dowels (C) into part 6.  
Fix assembled legs to part 6 using screws (H), as shown.

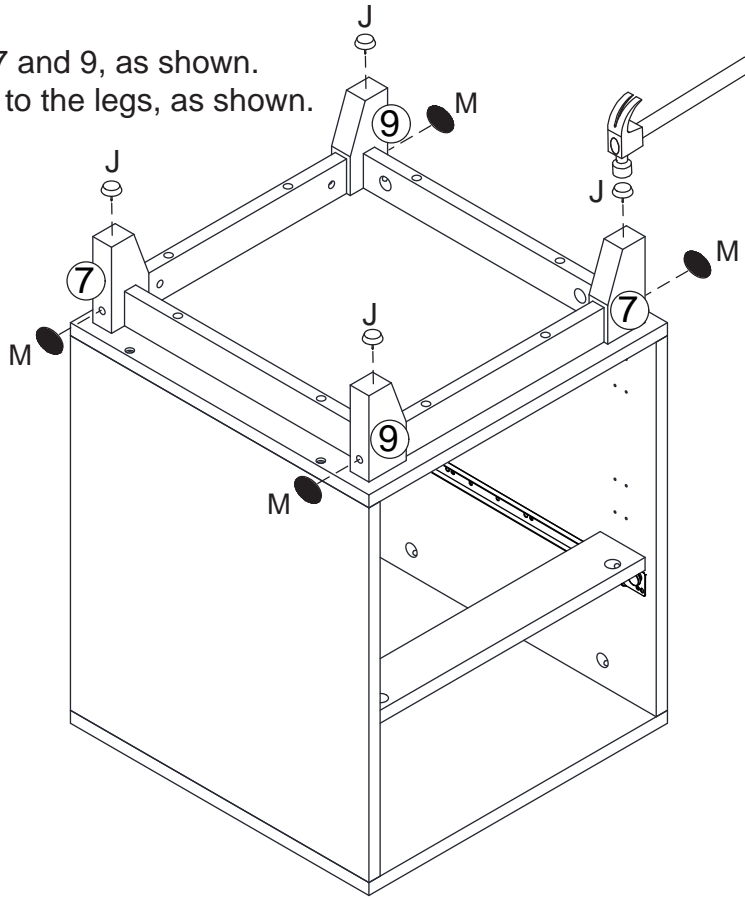




## ASSEMBLY STEPS

### STEP 11.

Fix foot nails (J) to legs 7 and 9, as shown.  
Attach screw covers (M) to the legs, as shown.



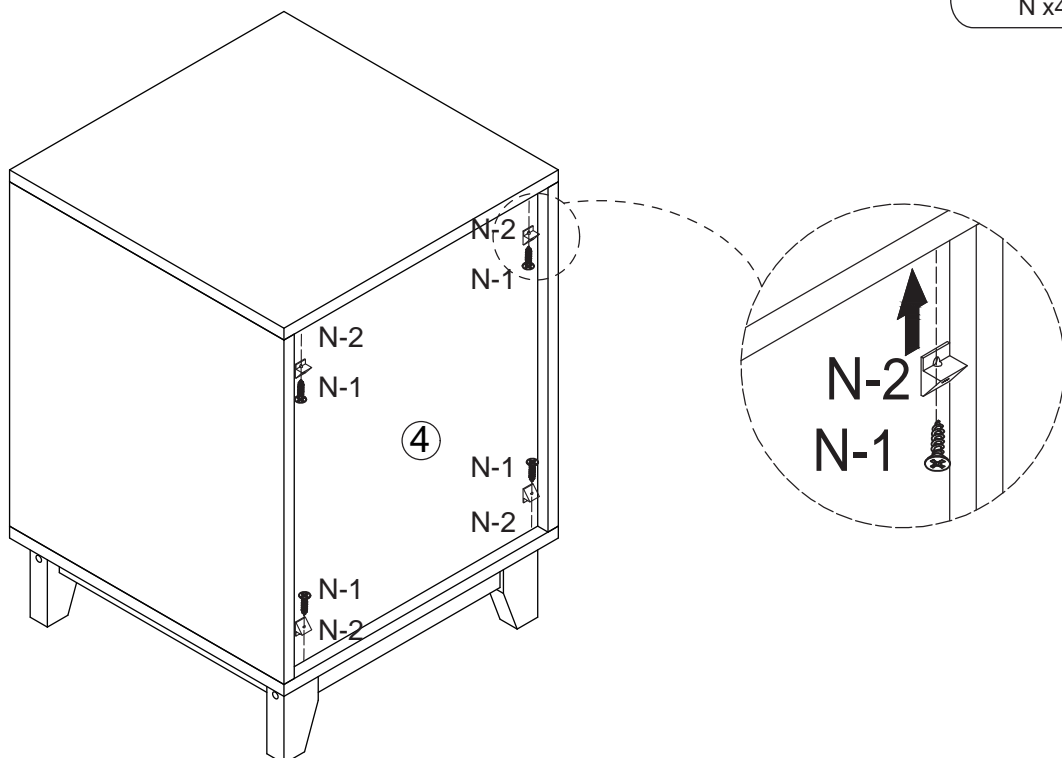
J x4



M x4

### STEP 12.

Fix corner brackets (N-2) to part 4 using screws (N-1), as shown.



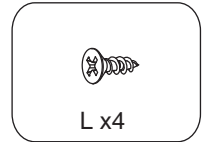
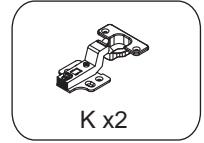
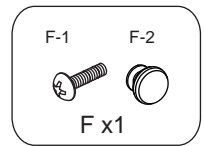
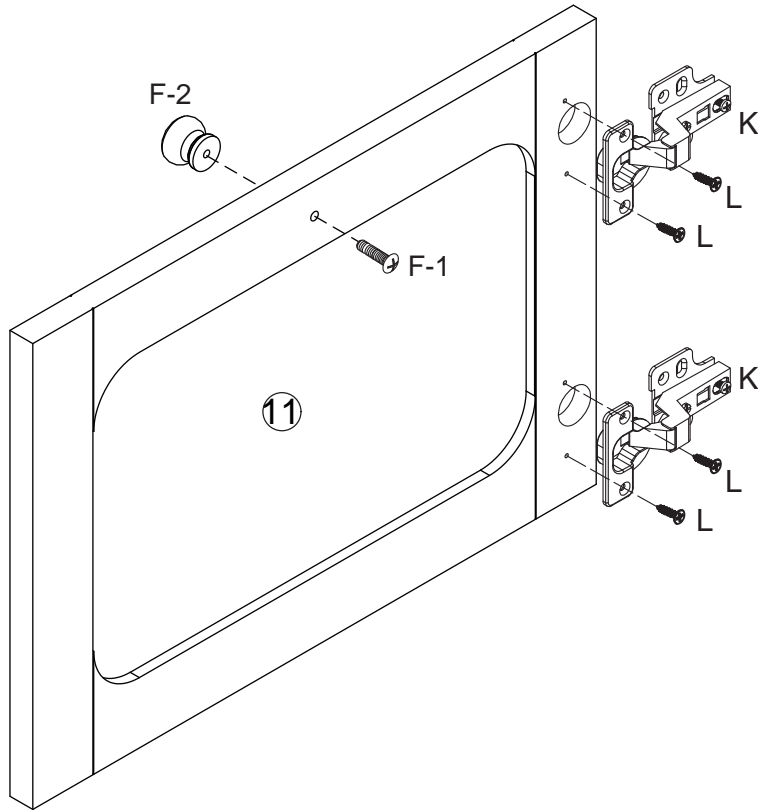
N-1 N-2



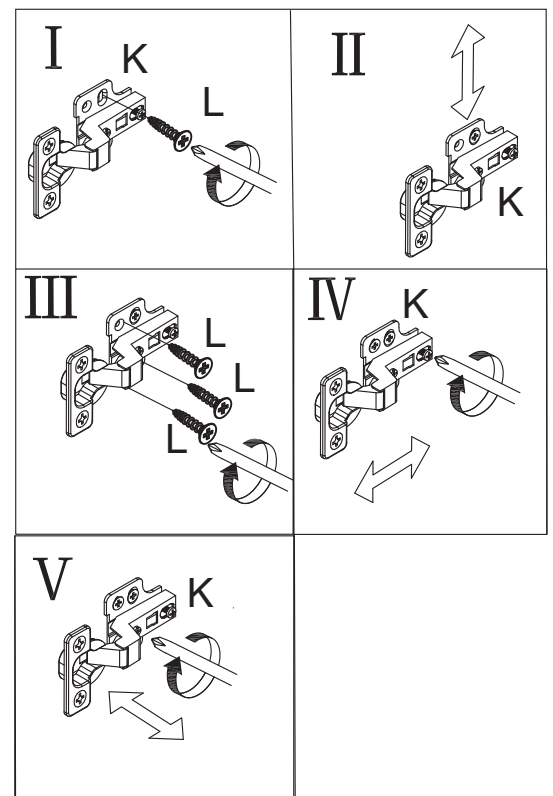
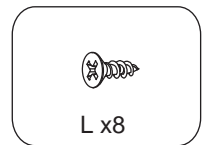
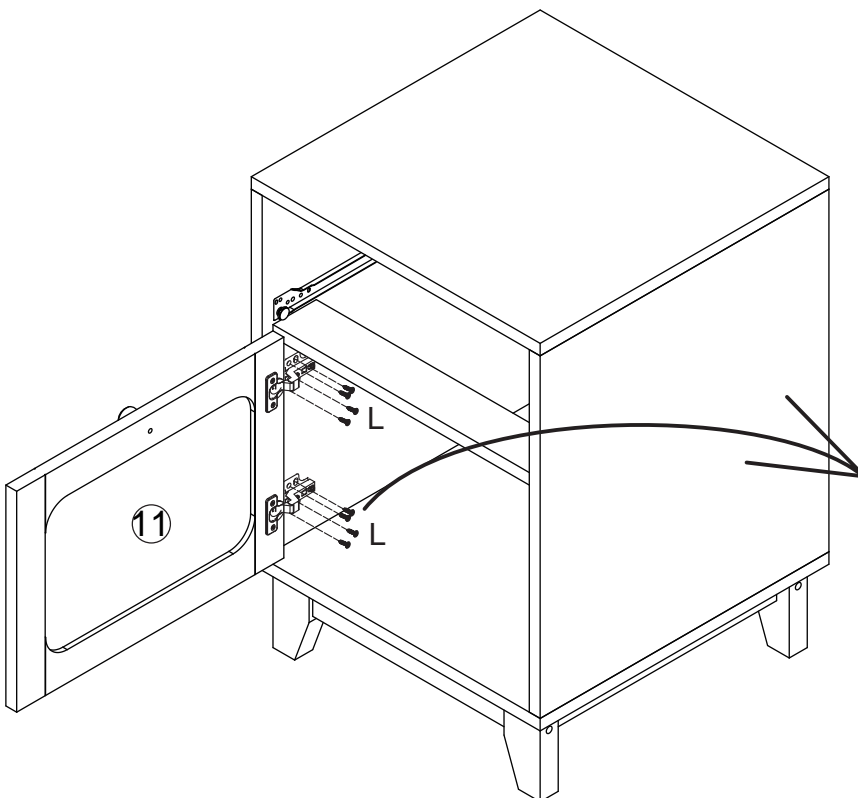
N x4

**ASSEMBLY STEPS**

**STEP 13.** Fix handle (F-2) to door 11 using screw (F-1), as shown.  
Fix hinges (K) to door 11 using screws (L), as shown.

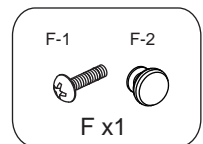
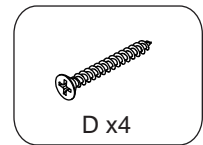
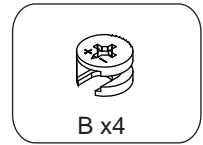
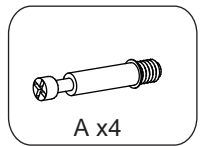
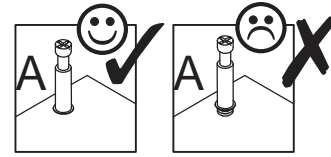
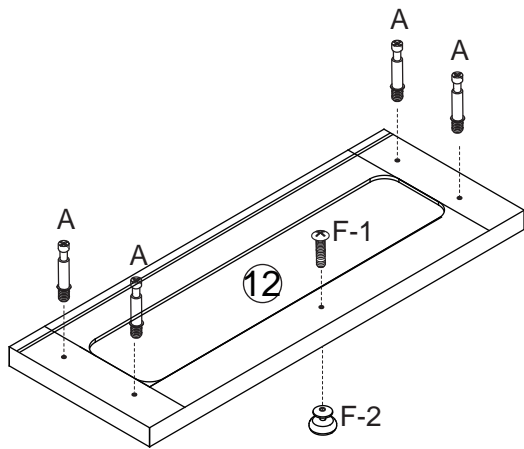


**STEP 14.** Fix door 11 to assembled unit using hinges and screws (L), as shown.

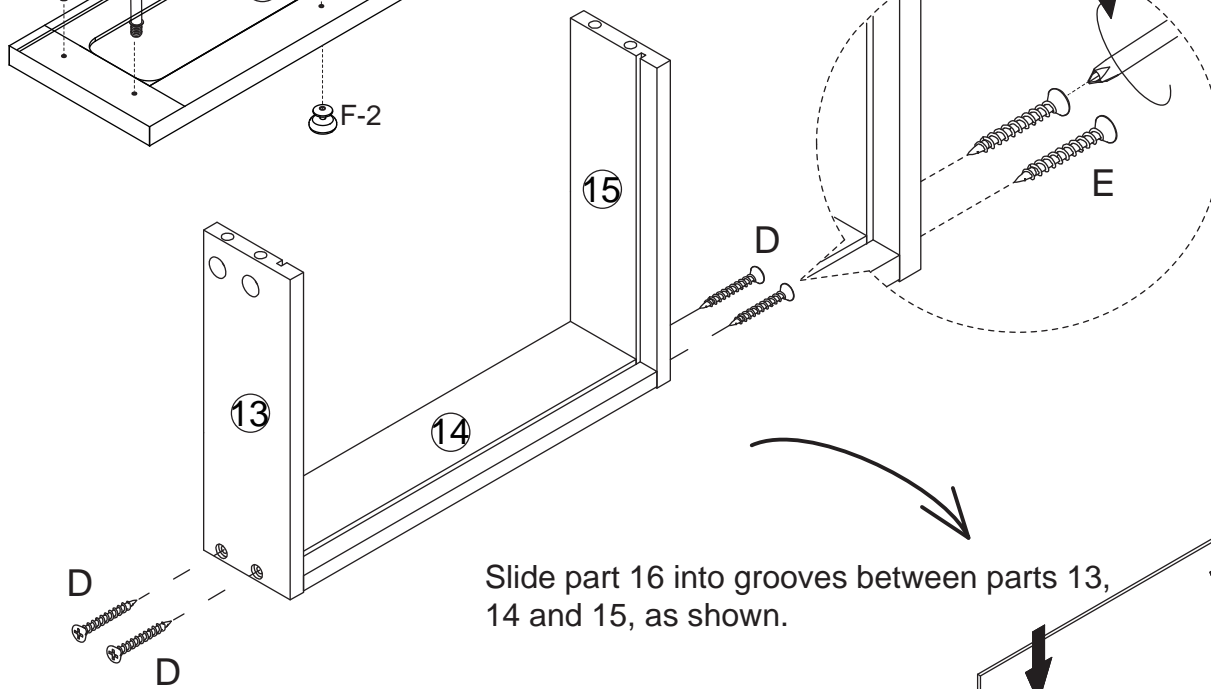


## ASSEMBLY STEPS

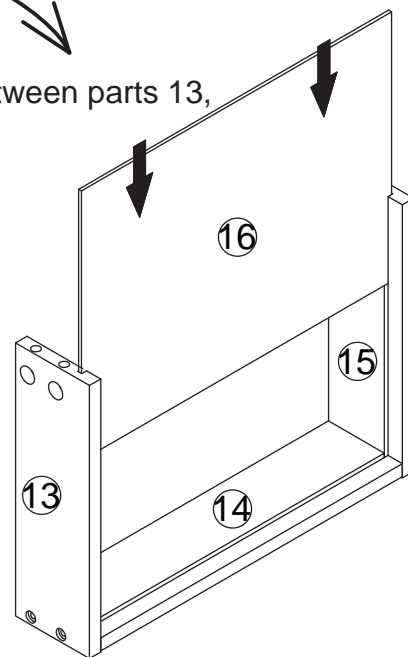
**STEP 15.** Insert quickfit screws (A) into part 12, as shown.  
Fix handle (F-2) to part 12 using screw (F-1), as shown.



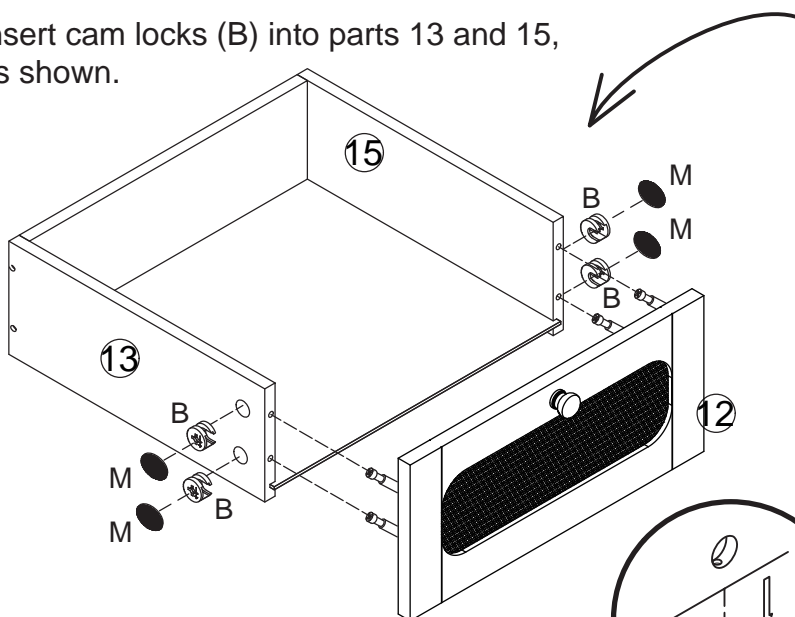
Fix parts 13 and 15 to part 14 using screws (D), as shown.



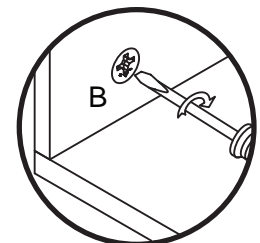
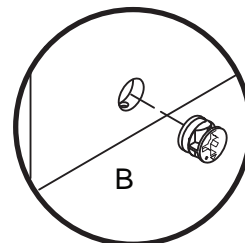
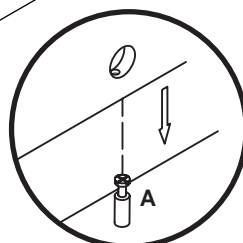
Slide part 16 into grooves between parts 13, 14 and 15, as shown.



Insert cam locks (B) into parts 13 and 15, as shown.

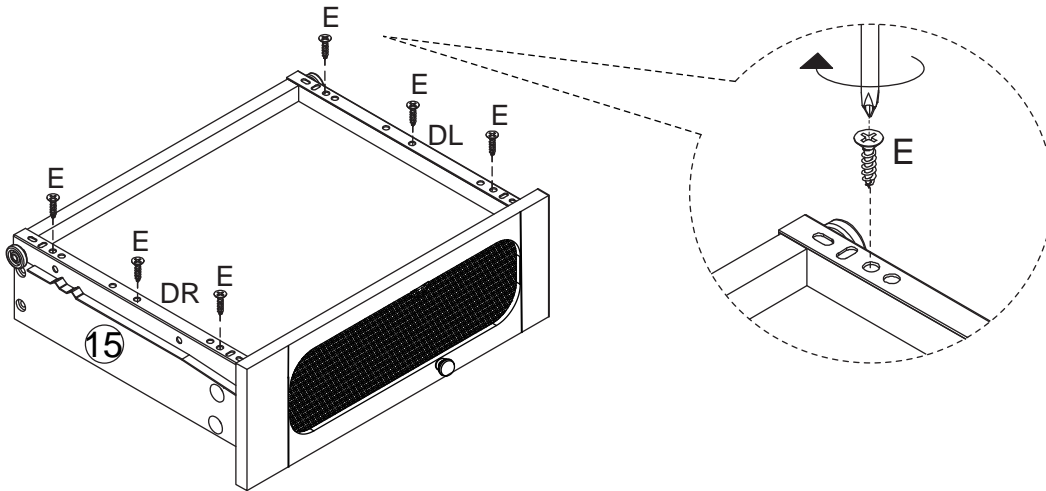


Fit part 12 to parts 13 and 15.  
Turn cam locks clockwise to tighten.  
Attach screw covers (M) to drawer, as shown.



## ASSEMBLY STEPS

**STEP 16.** Fix inner drawer runners (DL) and (DR) to assembled drawer using screws (E), as shown.



E x6

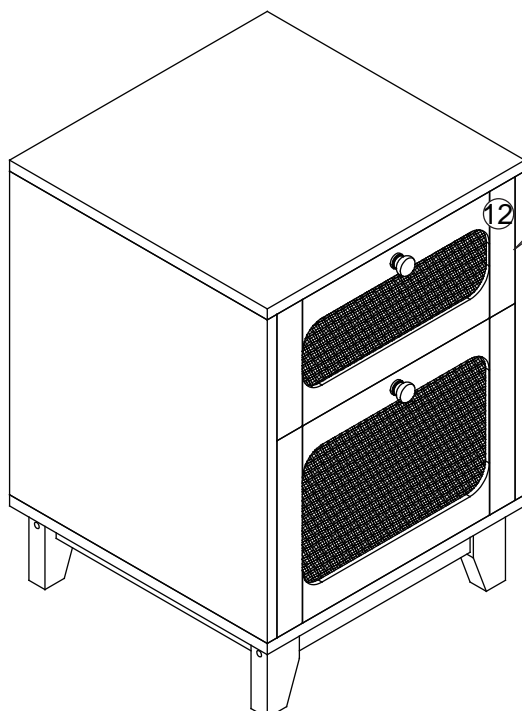
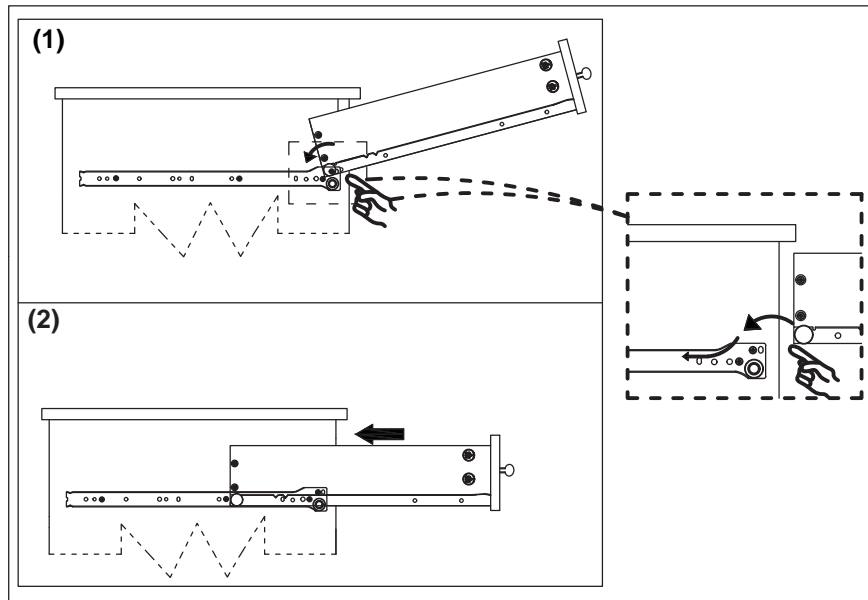


DL x1



DR x1

**STEP 17.**



Fit drawer into assembled unit, as shown.  
Your night stand is ready for use.